



ROUND 2 MODELS
4073 MEGHAN BEELER CT.
SOUTH BEND, IN 46628

THE WEREWOLF

IMPORTANT: READ THIS FIRST

Before building this Kit, cut the parts off the runners (do not attempt to twist them off). Study the illustrations carefully, acquainting yourself with each part and the procedure for attaching them to each other. Test-fit parts together, making sure all flash (extra plastic) has been cut away. When it comes time to use cement, use it sparingly. Liquid cement is highly recommended. Avoid getting cement on your hands and marring the surface of the model. Follow all instructions carefully, and you'll have a realistic reproduction of the terrifying WEREWOLF.

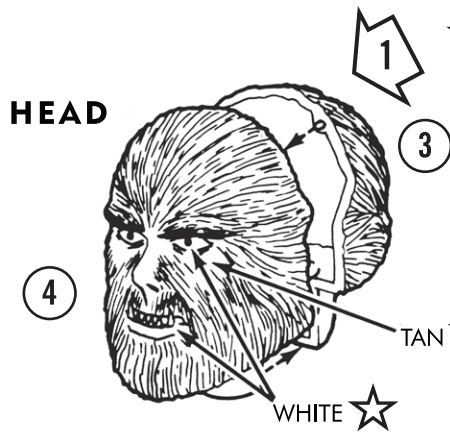
SPECIAL NOTICE

This kit includes luminous parts that give off an eerie glow in the dark. You may use all or any of these parts. If you use the luminous head, hands, and feet to build the Werewolf model, you may use the remaining parts to build the world's shortest wolf man. See the macabre midget on the back of this sheet.

★ **WATCH FOR PAINTING TIPS**

When painting your model, use rough, irregular strokes with your brush. This will give the effect of wrinkles and texture. After the paint dries, paint the whole model with a dull coat spray.

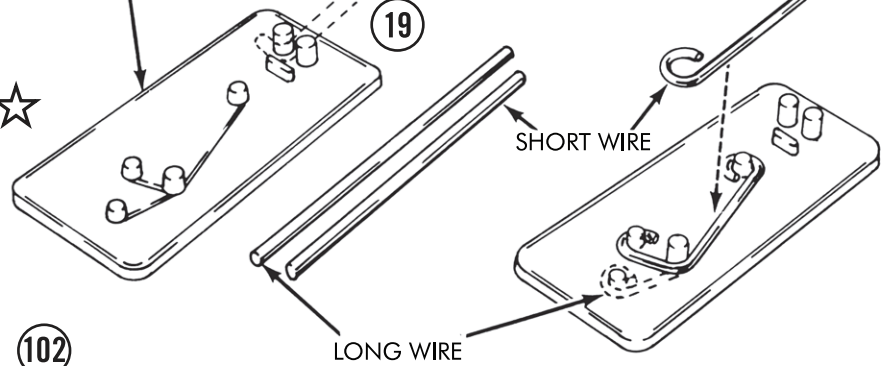
STARTING SYMBOL



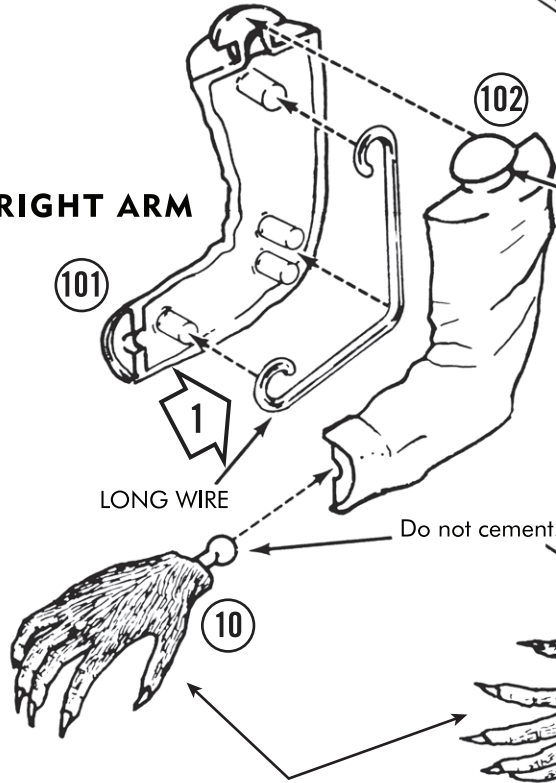
★ Paint all fur BLACK

Use of the wire in the SOFT PVC arms is optional, but if it is preferred, follow these instructions for bending and inserting of the wire. After the model is finished, you may bend the arms. Insert wire here and bend it around.

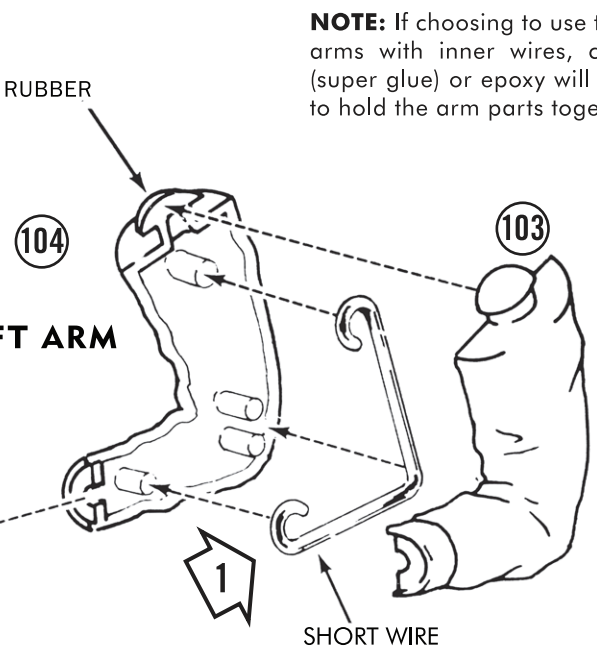
JIG FIXTURE



RIGHT ARM



LEFT ARM

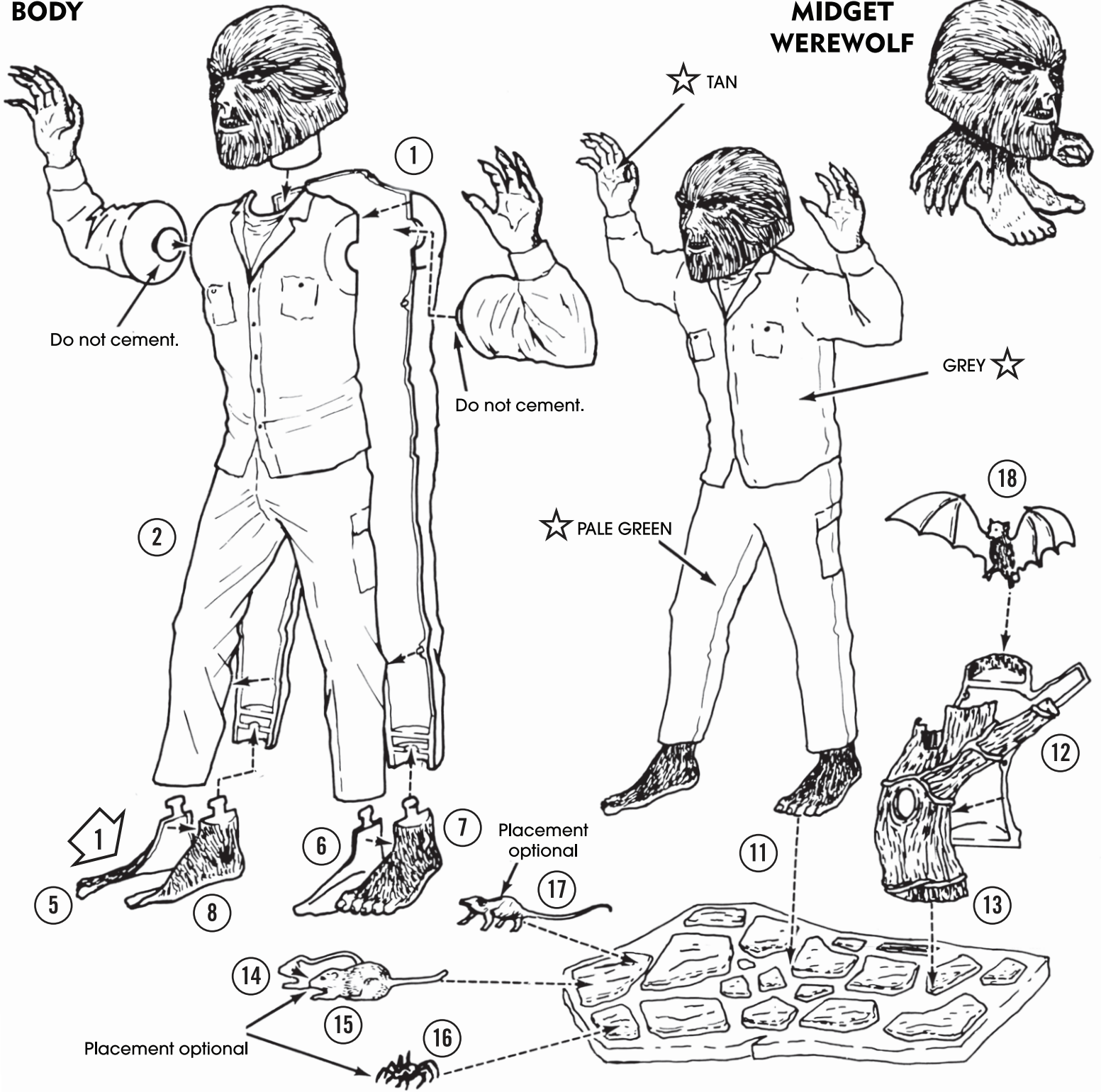


NOTE: If choosing to use the soft PVC arms with inner wires, cyanoacrylate (super glue) or epoxy will be required to hold the arm parts together.

NOTE: Use either luminous plastic parts or body color.

BODY

MIDGET WEREWOLF



IS BARNABAS YOUR BAG?

LOOK FOR OTHER GREAT MPC

DARK SHADOWS KITS.

GET 'EM ALL FROM YOUR LOCAL HOBBY SHOP.

BARNABAS FIGURE
MPC757/12



VAMPIRE VAN
MPC763/12

©Dan Curtis Productions, Inc. All rights reserved. MPC is a registered trademark of Learning Curve Brands, Inc. used under license to Round 2, LLC. © 2011 Learning Curve Brands, Inc. All rights reserved. © 2011 Round 2, LLC, South Bend, IN 46628 USA. Product and packaging designed in the USA. Printed in China. All rights reserved.